



Insulated Hinged Door

ECO

The "ECO" model is a more cost effective version of our standard insulated hinged door. The frame is smaller and the fixing holes are covered by silver caps to match the frame finish. The 5590 centre latch ensures a tight seal against the frame and a locking handle is also available (5591).

The freezer door is manufactured with a semi-rebated leaf and heater cable to the frame. An under-blade heater is installed inside the bottom gasket but a threshold heater & transformer can also be supplied if required.

Vision panels can be supplied to any dimension with double and triple glazed units for above 0°C and with heated glass for negative temperatures.

The leaf finish is available in a range of RAL colours, PVC coated steel or stainless steel.



4100
hinge



5590
external
handle



5590
internal
handle

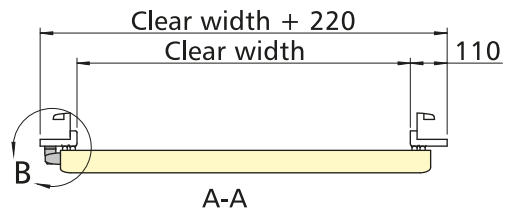
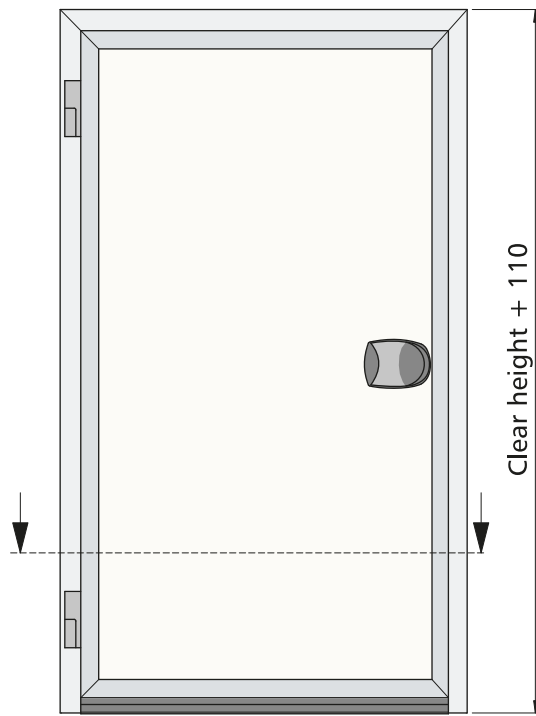
Bluseal 
THE SEAL OF APPROVAL

Unit P, Blackpole East, Worcester, WR3 8SG
Tel: 0845 0066777 - Fax: 01905 863 612
E-mail: sales@blusealdoors.co.uk

GRUPO
repro


www.bluseal.co.uk

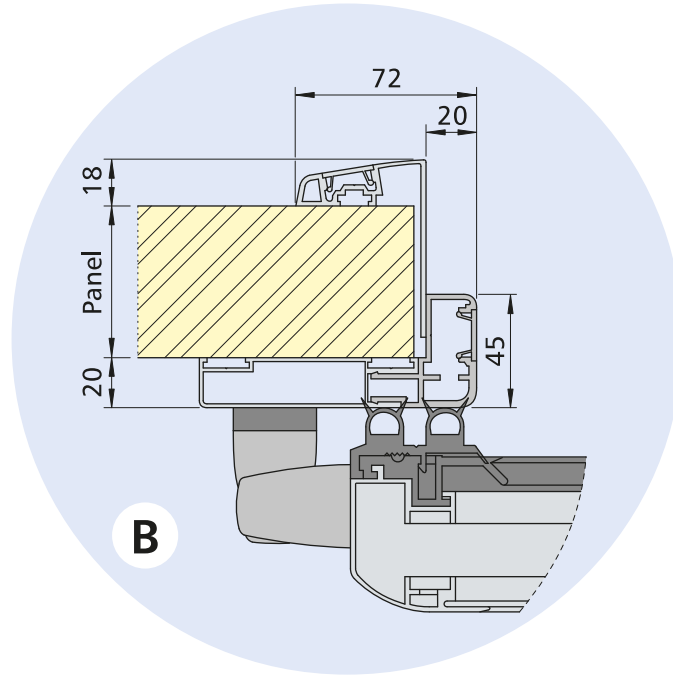
new 



STRUC. OPENING DIMENSIONS

Width	Height
60 + clearance	30 + clearance

Bluseal 
THE SEAL OF APPROVAL



Insulated Hinged Door ECO