



## Insulated Sectional Door

40mm & 70 mm panel thickness

Doors for cold-storage rooms



Insulated sectional door for loading docks with 40mm or 70mm panel thickness. Internal and external finish in white painted steel or a range of RAL colours.

The door is available in either manual or electric operation with a variety of opening functions.

Dimensions on request.



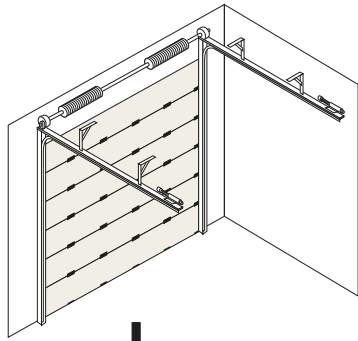
GRUPO  
**repro**

The doors can be manufactured with three different elevation types; standard lift, high lift or vertical lift. This enables the door to be adapted to any installation.

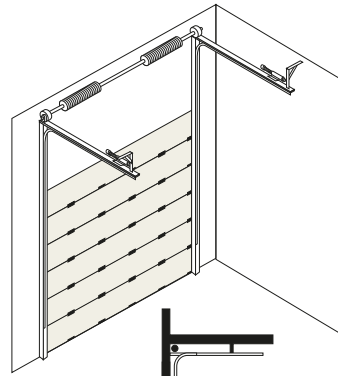


www.bluseal.co.uk

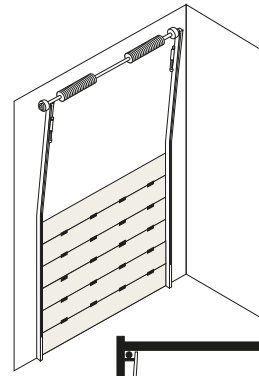




STANDARD LIFT

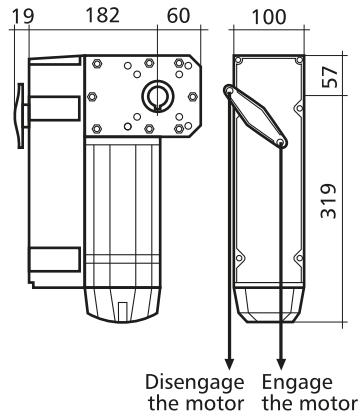


HIGH LIFT



VERTICAL LIFT

MOTOR	SAD
Power	0,37 kw
Nominal Current	2,1 A
Volts / Frequency	400V - 50Hz
Voltage	24V
Capacity	60%
IP Rating	IP 54
Torque	100 Nm
RPM	24



### Insulated Sectional Door Specification:

- Suitable for chill application.
- Leaf thickness available in 40mm or 70mm.
- Internal and external finish in a range of colours.
- Injected polyurethane insulation with a conductivity coefficient of 0.022 w/m\*°C.
- Polyurethane with a density of 40-45 kg/m<sup>3</sup>.
- Hardware manufactured in galvanized and white painted steel, made by "Doco"
- Watertight gasket fitted onto the frame
- Different elevation types (Standard lift, high lift, vertical lift)
- Three-phase control panel
- 12V output for accessories.
- Opening & closing speed adjustment.



GRUPO repro



Standard lift



Motor



Sliding bolt



Cable break security



GRUPO repro